

# Corrections

## Corrections to “Sensor-Less Five-Level Packed U-Cell (PUC5) Inverter Operating in Stand-Alone and Grid-Connected Modes”

Hani Vahedi, Philippe-Alexandre Labbé, and Kamal Al-Haddad

**T**HERE are some errors in the above-mentioned paper [1]. All errors happened when a symbol was used in the figure. These errors include:

- 1) Some symbols (e.g.,  $\alpha$ ,  $\pi$ ,  $\theta$ ) in Fig. 3 are deformed. The corrected version of that figure is shown here:

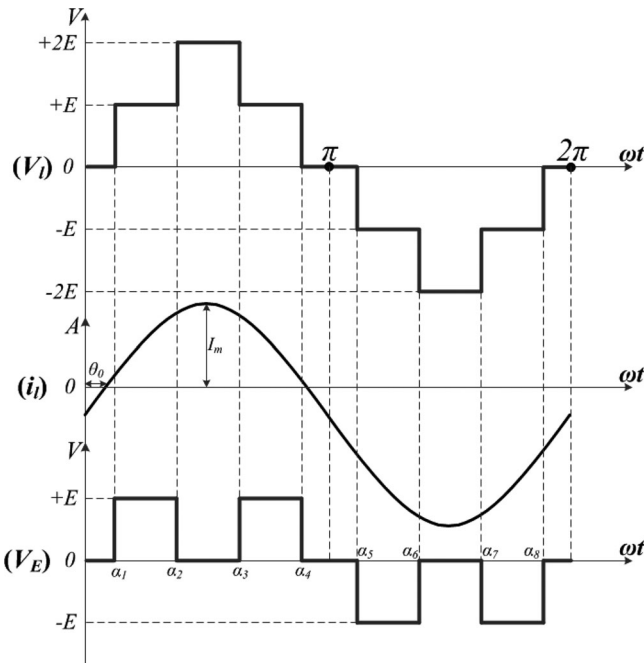


Fig. 3. Typical output voltage and current waveform of a five-level inverter.

- 2) The signs of  $\geq$  have been removed in Fig. 5. The correct version is illustrated as:

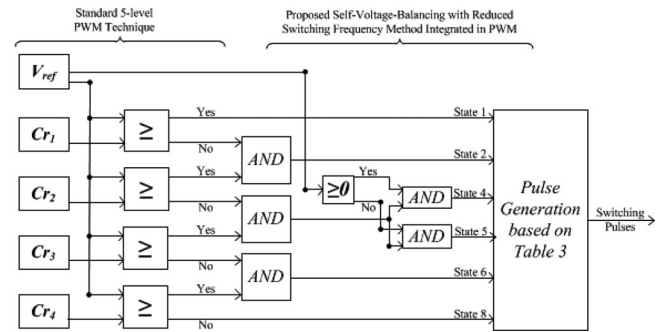


Fig. 5. Proposed open-loop switching algorithm for self-voltage-balancing of PUC5 inverter.

- 3) Symbol of  $\theta$  is missing in controller block diagram of Fig. 6. The corrected version is:

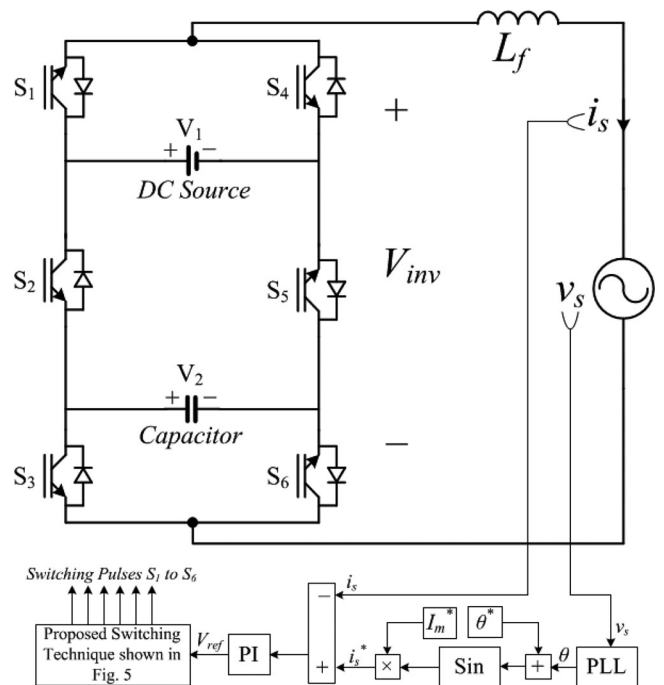


Fig. 6. Grid-connected PUC5 inverter with designed controller.

Manuscript received May 24, 2016; accepted June 01, 2016. Date of publication June 07, 2016; date of current version August 04, 2016.

The authors are with the Ecole de Technologie Supérieure, University of Quebec, Montreal, QC, H3C 1K3, Canada (e-mail: hani.vahedi@etsmtl.ca).

Digital Object Identifier 10.1109/TII.2016.2578183

### REFERENCE

[1] H. Vahedi, P. Labbe, and K. Al-Haddad, “Sensor-less five-level packed u-cell (PUC5) inverter operating in stand-alone and grid-connected modes,” *IEEE Trans. Ind. Informat.*, vol. 12, no. 1, pp. 361–370, Feb. 2016.