

Correction

Corrections to “Low-Noise Distributed RC Oscillator”

Jahyun Koo^{id} and Jae-Yoon Sim^{id}, *Senior Member, IEEE*

In [1], Fig. 3 was incorrect. The correct Fig. 3 is as follows.

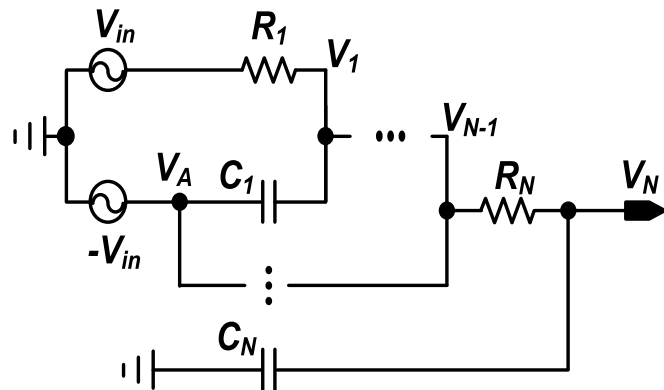


Fig. 3. Circuit diagram of the proposed distributed RC network.

REFERENCES

- [1] J. Koo and J.-Y. Sim, “Low-noise distributed RC oscillator,” *IEEE Trans. Very Large Scale Integr. (VLSI) Syst.*, vol. 30, no. 2, pp. 143–152, Feb. 2022, doi: [10.1109/TVLSI.2021.3131170](https://doi.org/10.1109/TVLSI.2021.3131170).

Manuscript received 13 December 2022; accepted 13 December 2022. Date of current version 23 January 2023. (Corresponding author: Jahyun Koo.)

Jahyun Koo is with the Electrical and Computer Engineering Department, University of California at Santa Barbara (UCSB), Santa Barbara, CA 93117 USA (e-mail: jahyun@postech.ac.kr).

Jae-Yoon Sim is with the Electrical Engineering Department, Pohang University of Science and Technology (POSTECH), Pohang 37673, South Korea.

Digital Object Identifier 10.1109/TVLSI.2022.3229577