

ERRATA: A WIRELESS HOME NETWORK AND ITS APPLICATION

H. Fujieda

R&D Planning Office, Matsushita Electric Industrial Co., Ltd., Osaka, Japan

Y. Horiike, T. Yamamoto

Kurashi Network Development Center, Matsushita Electric Industrial Co., Ltd., Nara, Japan

T. Nomura

Department of Mechanical Engineering, Osaka City University, Osaka, Japan

Errata sheets of the figures of "Fujieda et al.: A Wireless Home network and Its Application" appeared in the IEEE Transactions of Consumer Electronics, vol.46, no.2, pp283-290

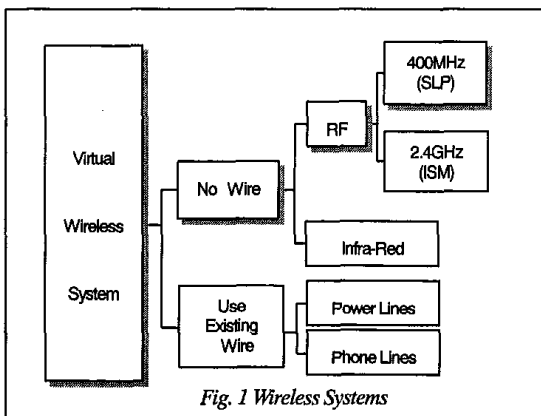


Fig. 1 Wireless Systems

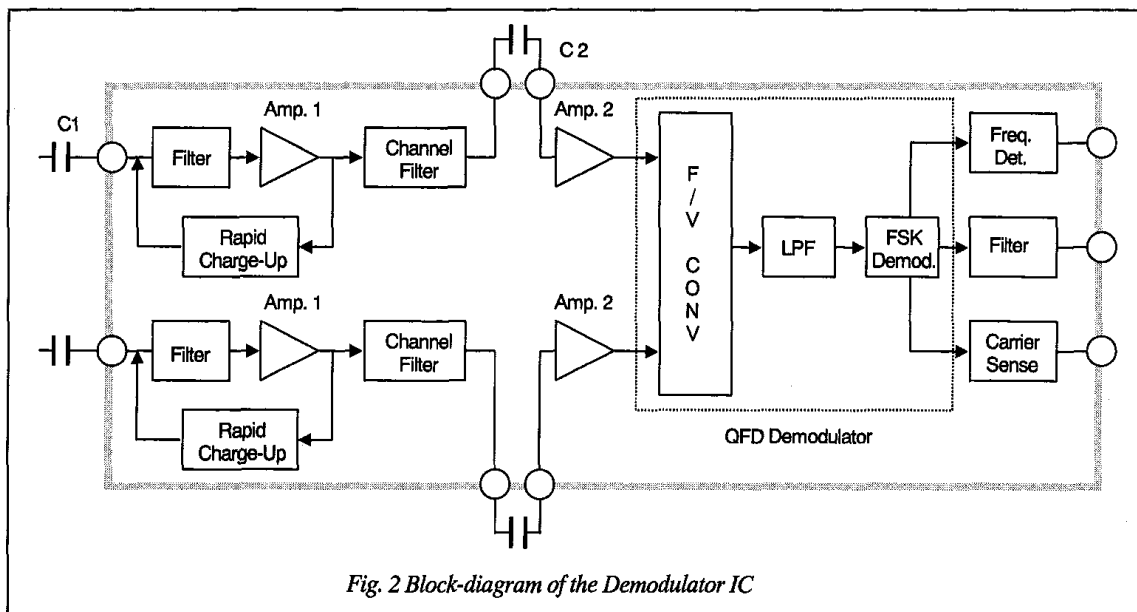


Fig. 2 Block-diagram of the Demodulator IC

Errata sheets of the figures of “Fujieda et al.: A Wireless Home network and Its Application” appeared in the IEEE Transactions of Consumer Electronics, vol.46, no.2, pp283-290

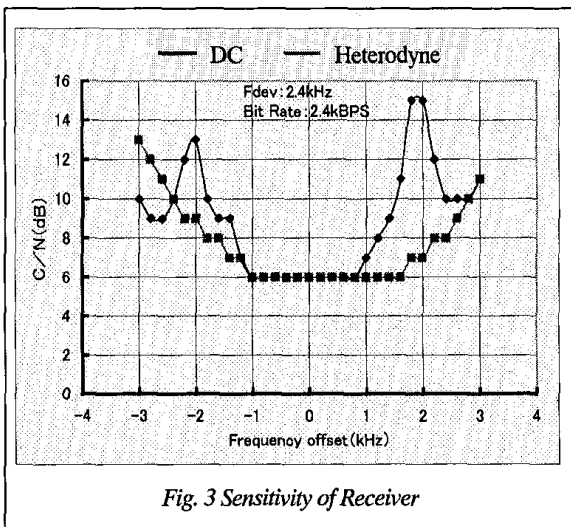


Fig. 3 Sensitivity of Receiver

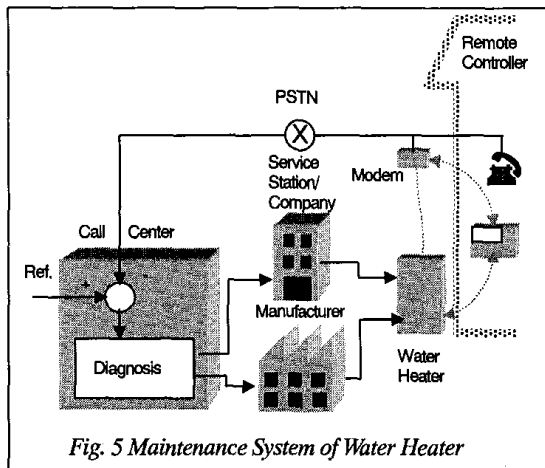


Fig. 5 Maintenance System of Water Heater

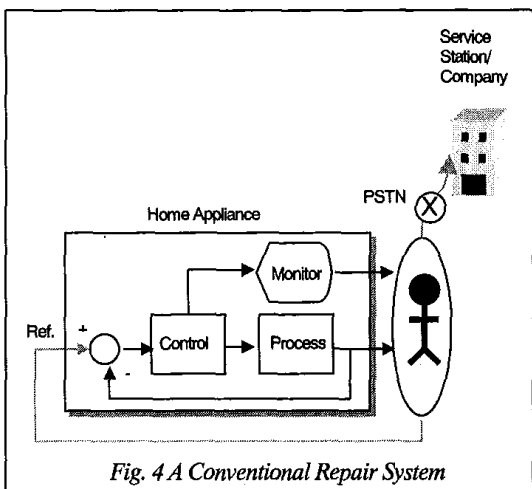


Fig. 4 A Conventional Repair System

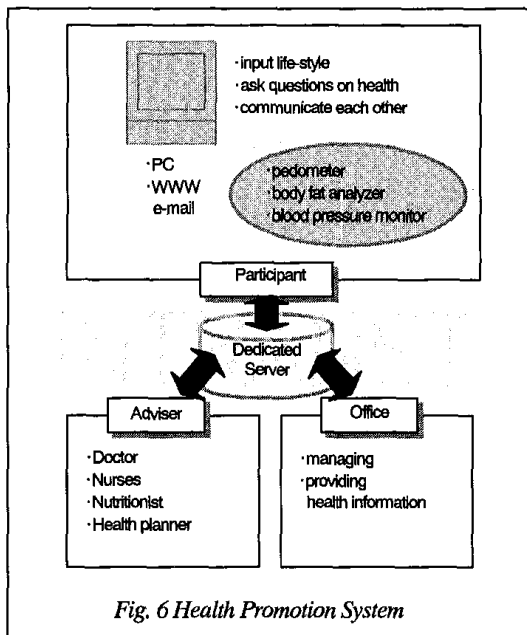


Fig. 6 Health Promotion System